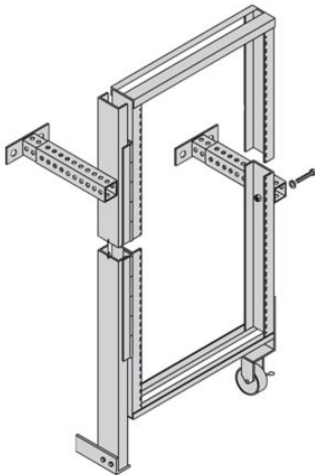


Eaton SB542096TG

Catalog Number: SB542096TG

Eaton B-Line series open frame racks, Aluminum with steel hinge and mounting brackets, Height: 96", Mounting spaces: 50, 10" to 18" adjustable depth, Telco gray powder coat, Wall and floor mounted swing gate network equipment rack



General specifications

Product Name	Catalog Number
Eaton B-Line series open frame racks	SB542096TG
UPC	Product Length/Depth
799038025191	18 in
Product Height	Product Width
96 in	19 in
Product Weight	Certifications
53.7 lb	Not Applicable

Product specifications

Model

Wall and floor mounted swing gate network equipment rack

Material

Aluminum

Size

Height 96 in

Finish

Telco gray powder coat

Resources

Brochures

[RCM and RCM+ brochure](#)

Specifications and datasheets

[Eaton Specification Sheet - SB542096TG](#)



Eaton Corporation plc
Eaton House
30 Pembroke Road
Dublin 4, Ireland
Eaton.com
© 2023 Eaton. All Rights Reserved.

Eaton is a registered trademark.

All other trademarks are property of their respective owners.



[Eaton.com/socialmedia](https://www.eaton.com/socialmedia)